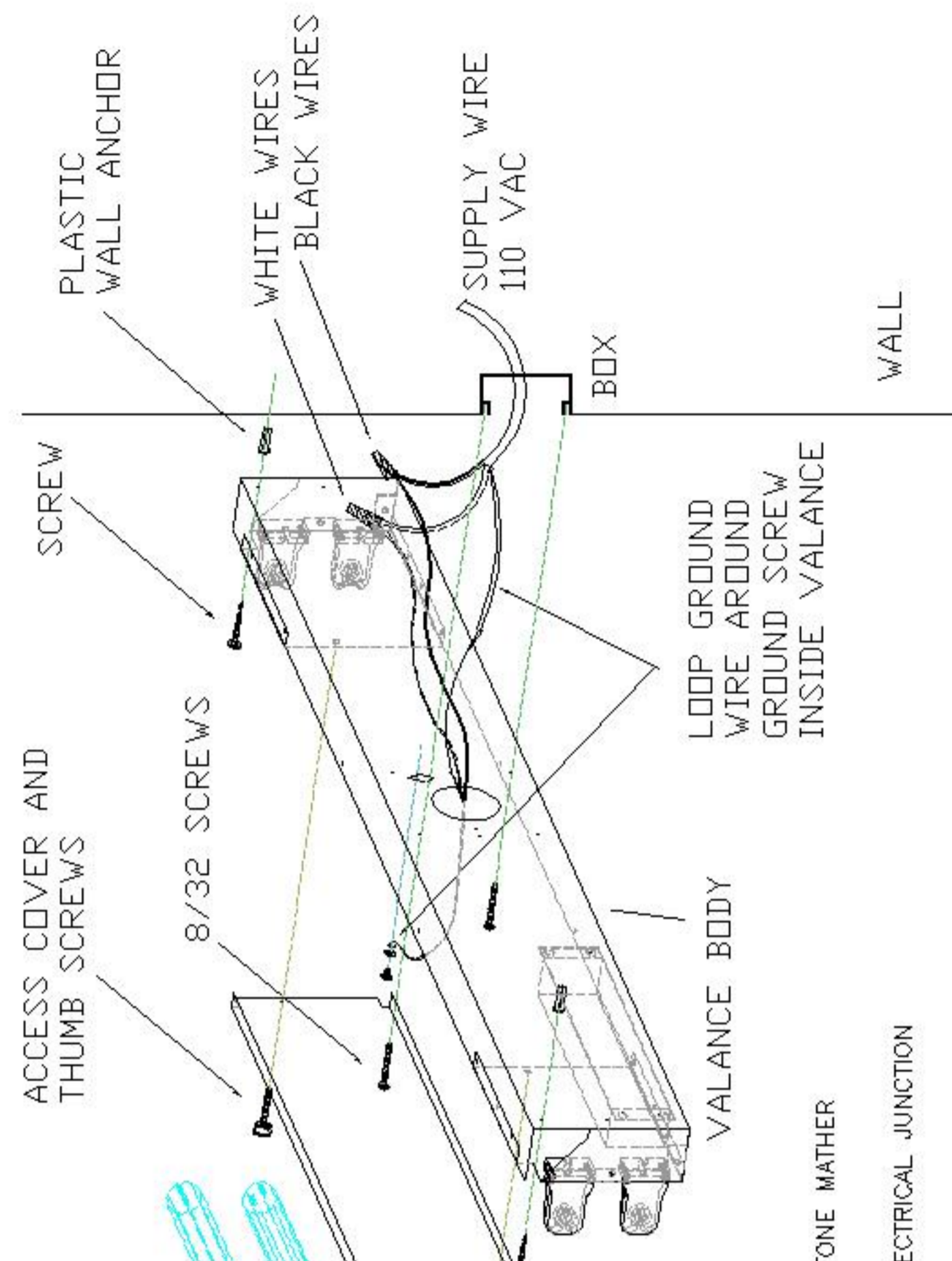


RevNo.	Revision note	Date	Signature
0	INITIAL RELEASE	4/8/05	AVD

INSURE ELECTRICAL POWER IS OFF TO ELECTRICAL BOX BEFORE PROCEEDING!
MINIMUM 90* EC SUPPLY CONDUCTORS



INSTALLATION STEPS:

- 1. REMOVE ALL ITEMS FROM BOX. INSPECT FOR DAMAGE, REPORT ANY DAMAGED ITEMS TO STONE MATHER DESIGNS.
- 2. REMOVE ACCESS COVER FROM CENTER OF VALANCE BODY. ALIGN VALANCE BODY OVER ELECTRICAL JUNCTION BOX. INSTALL 8/32 SCREWS (NOT PROVIDED) THROUGH VALANCE BODY INTO JUNCTION BOX.
- 3. LEVEL VALANCE BODY AS NEEDED AND INSTALL END ANCHORS (PROVIDED) TIGHTEN TO SECURE TO WALL.
- 4. CONNECT WHITE WIRE(S) WITH WHITE SUPPLY WIRE AND CONNECT BLACK WIRE(S) WITH BLACK SUPPLY WIRE USING WIRE NUTS.
- 5. LOOP GROUND SUPPLY WIRE AROUND GROUND SCREW INSIDE VALANCE BODY AND TIGHTEN.
- 6. INSTALL ACCESS COVER AND LAMPS.
- 7. INSTALL VALANCE COVER OVER VALANCE BODY. GENTLY LOWER COVER SO MOUNTING PINS SLIDE DOWN INCLINE OF VALANCE BODY TO PULL COVER AGAINST WALL.

THIS PRODUCT MUST BE INSTALLED IN ACCORDANCE WITH THE APPLICABLE INSTALLATION CODE BY A PERSON FAMILIAR WITH THE CONSTRUCTION AND OPERATION OF THE PRODUCT AND THE HAZARDS INVOLVED AND OR A QUALIFIED ELECTRICIAN.

UNDERWRITERS LABORATORIES COMPLIANCE

- 1. INCANDESCENT FILE # E170691
- 2. FLUORESCENT FILE # E172522

STONE MATHER DESIGNS

4444 Tower Rd. SW
 Albuquerque, NM 87121
 Phone (505) 247-4276
 Fax (505) 247-4538

INSTALLATION INSTRUCTIONS

VALANCES
 V24, V36, V48 FLUORESCENT

Date	Designed by	Sheet
11/11/11	XXX	1/1